

# PC 2600-10-4-U

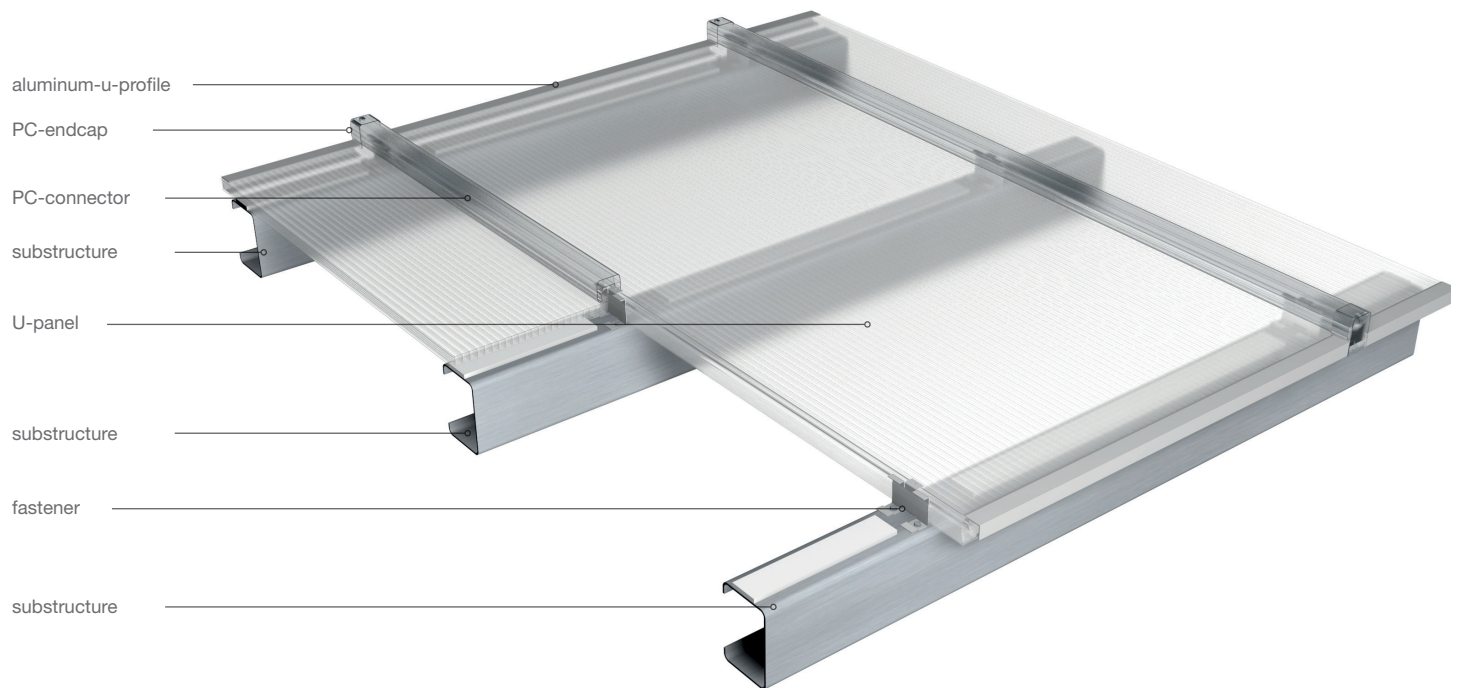
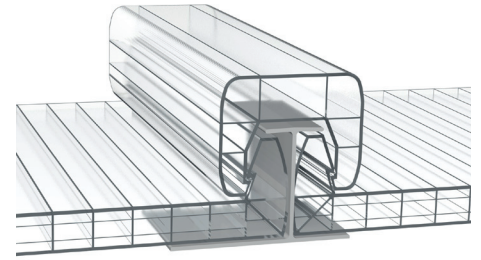
## Rodeca U-Panels



### Characteristics

width:	600 mm
thickness:	10 mm
Up-value:	approx. 2,6 W/m <sup>2</sup> K
weight:	approx. 2,3 kg/m <sup>2</sup>
layer/chambers:	4 layer / 3 chambers
fire classification:	B-s1,d0 acc. EN 13501
tolerances:	EN 16153
bending radius:	min. 3,00m
light transmission:	crystal approx. 70% opal approx. 55%

colours: crystal, opal  
color on request



### Load resistance

The information on load resistance relates to the failure of the panels or accessories.  
The values do not contain any safety factors and do not replace any country-specific and building law certificates.

 suction	<table border="1"> <tr> <th>span</th> <th>load</th> </tr> <tr> <td>1,0 m</td> <td>1,0 kN/m<sup>2</sup></td> </tr> </table>	span	load	1,0 m	1,0 kN/m <sup>2</sup>
	span	load			
1,0 m	1,0 kN/m <sup>2</sup>				
 pressure	<table border="1"> <tr> <td>1,0 m</td> <td>1,5 kN/m<sup>2</sup></td> </tr> </table>	1,0 m	1,5 kN/m <sup>2</sup>		
	1,0 m	1,5 kN/m <sup>2</sup>			

### Accessories

 side profile aluminium-u-profile 461040 + 492001	 Polycarbonat connector 380061	 Polycarbonat endcap 395008
 front end aluminium-u-profile 461011	 fastener 59401001	 gasket for side profile 902901

# Overview U-Panels

## Rodeca U-Panels

### PC 2600-10-4-U



width: 600 mm  
thickness: 10 mm  
Up-value: approx. 2,6 W/m<sup>2</sup>K

colours:  
crystal / opal /  
color

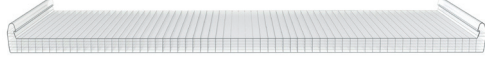
### PC 2630-16-6-U / PC 2630-16-6-U HD



width: 630 mm  
thickness: 16 mm  
Up-value: approx. 1,9 W/m<sup>2</sup>K

colours:  
crystal / opal /  
color / Duocolor

### PC 2630-20-6-U



width: 630 mm  
thickness: 20 mm  
Up-value: approx. 1,7 W/m<sup>2</sup>K

colours:  
crystal / opal /  
color

### PC 2630-25-6-U / PC 2630-25-6-U HD



width: 630 mm  
thickness: 25 mm  
Up-value: approx. 1,6 W/m<sup>2</sup>K

colours:  
crystal / opal /  
color / Duocolor

