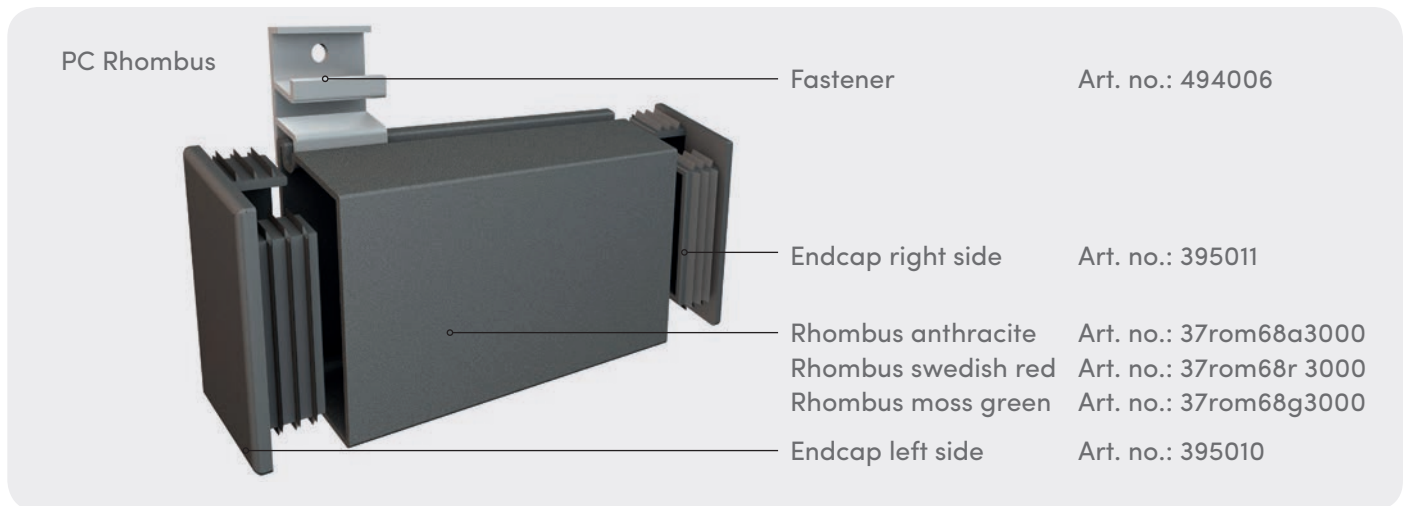


Installation manual

PC Rhombus

Scope of delivery



Before installation

Please check the delivery for completeness and observe our general information on storage as well as our assembly instructions!

The scope of delivery of the Rodeca PC Rhombus system includes the polycarbonate rhombus slats with a length of 3.0 m, the aluminum fasteners and the end caps for closing the cut edges. The rhombus bars must be fixed to a substructure to be created on site at a distance of 50-60 cm.

Planning aid:



Rhombus slat in colour
Anthracite art. no.: 37rom68a3000

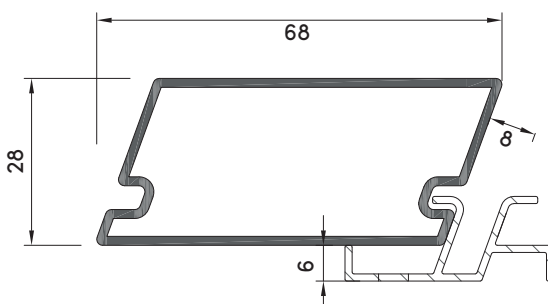


Rhombus slat in colour
Schwedish red art. no.: 37rom68r3000



Rhombus slat in colour
Moss green art. no.: 37rom68g3000

For a height of approx. 1.0 m 15 rhombus slats are required.



Installation manual

PC Rhombus



Substructure

The substructure should consist of approx. 40 mm wide profiles. The distance of the vertical substructure should be 50 -60 cm.



Alignment

The rhombus slats are easiest to install from bottom to top. It is recommended to mark the position of the lowest fastener properly aligned.



Fastener as lowest support

The fasteners must be fixed to the substructure every 50-60 cm along the horizontal marking. It is important to ensure that the fasteners are not fixed crookedly.



Cutting

The rhombus slats can be cut on site. It is important to use fine toothed saw blades or cutting discs.

Installation manual

PC Rhombus



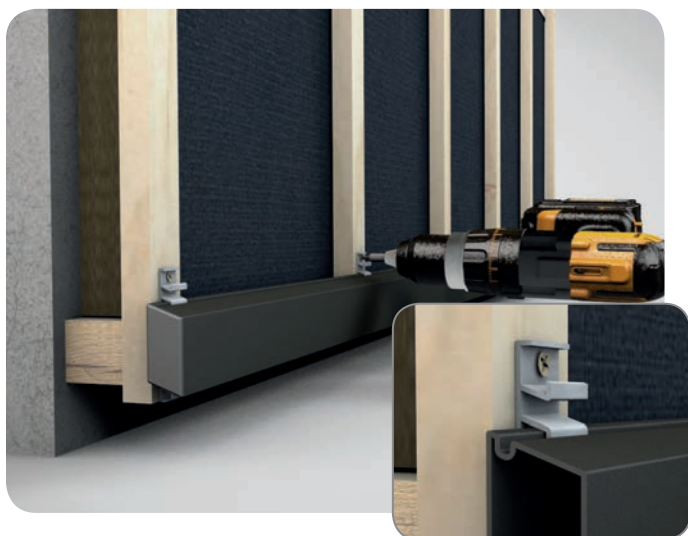
Closing of the cut edges

For visual reasons and to prevent insects from entering the rhombus slats, we recommend closing the cut edges with the appropriate caps. The easiest way to do this is to use a soft or rubber hammer.



Fixation of the first bar

The first rhombus slat can now be placed in the holder of the fastener. It is important to ensure that the bar lies in the groove provided on all fasteners. It should be checked again that the first bar is in level.



Fastener

Suspended fasteners must be attached to each subsequent rhombus slat. Here too, it is important to ensure that the fasteners on all bars lie in the groove provided.



Completion

All rhombus slats must be attached as previously described. Depending on the project, the top end can be covered with an angle or folded metal sheet.